

CBC-160-MV Fail Safe Brake Multi-Voltage Control

P-239-34
819-0501

Installation & Operating Instructions



Contents

Introduction 2
 Specifications..... 3
 Warranty Back Page

⚠ WARNING Failure to follow these instructions may result in product damage, equipment damage, and serious or fatal injury to personnel.

Introduction

The Warner Electric CBC-160MV is a family of clutch/brake controls conveniently built into the conduit box cover of the Electro Module line of electromagnetic clutches and brakes. The CBC-160MV control is a single channel device, that is adjustable for precise operation of the brake, with flexible adjustable for precise operation of the brake, with flexible voltage input from 208 to 575 VAC. This control is designed for operation with Warner Electric’s permanent Magnet 90VDC Fail Safe Motor Brakes. It may also be used with any Warner Electric 90VDC clutch/brake.

Specifications

| | |
|------------------------|--|
| Input | 208-575VAC, 50/60 Hz. |
| Output | Range 30-100 VDC (adjustable). 0.5 amps |
| Fusing (Optional) | 1 amp, 250 V fast-blow |
| Ambient Temperature | 0 to 122 F, (-18 to 50)C |
| Switching | Supplied by Customer |
| Cycle Rate | Consult Warner Electric’s Master Catalog, form no. P-1000, for energy dissipation of your application. |
| Set-Up | The recommended settings for Electro module Fail Safe Motor Brakes are as follows. |

To insure optimum release, it is factory set to 90VDC. Adjust the potentiometer on the control to the required brake coil voltage as measured with a voltmeter. The recommended voltage listed below is based on nominal line voltage.

| Model | Voltage |
|----------|-----------------|
| UM - 50 | 70-100 volts DC |
| UM - 100 | 70-100 volts DC |
| UM - 180 | 90 volts DC |
| UM - 210 | 70-100 volts DC |
| UM - 215 | 70-100 volts DC |

Reorder Information

| Model | Part Number |
|------------|--------------|
| CBC-160-MV | 6013-448-004 |

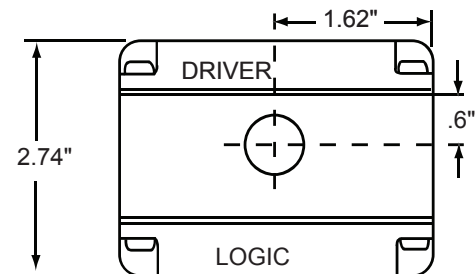
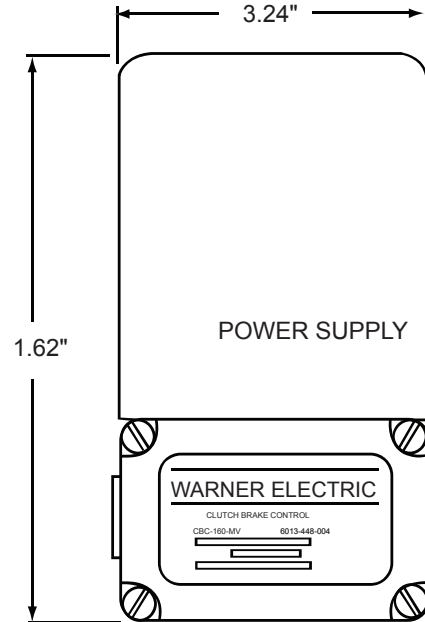
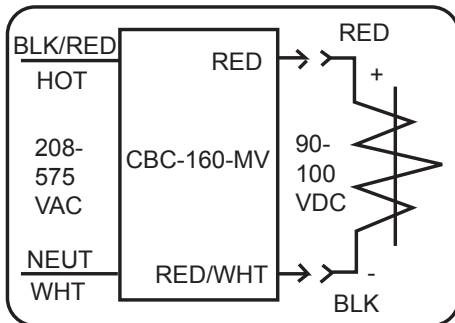
Installation

⚠ WARNING To avoid injury, always make certain all power is off before attempting to install this control, or any electrical equipment.

1. Connect the red wire to the red wire of the brake lead; connect the red/white wire to the black wire of the brake.
2. Connect the black/red stripe wire to the hot side of the AC, power source as indicated.
3. Connect the white wire to the neutral side of the AC power.
4. Secure the conduit box control to the brake.

⚠ WARNING This is a floating type power supply and is not referenced to AC ground. Under no circumstance should any of the output wire leads be connected to earth or chassis ground as the unit will be destroyed.

Connection



Warranty

Warner Electric LLC warrants that it will repair or replace (whichever it deems advisable) any product manufactured and sold by it which proves to be defective in material or workmanship within a period of one (1) year from the date of original purchase for consumer, commercial or industrial use.

This warranty extends only to the original purchaser and is not transferable or assignable without Warner Electric LLC's prior consent.

Warranty service can be obtained in the U.S.A. by returning any defective product, transportation charges prepaid, to the appropriate Warner Electric LLC factory. Additional warranty information may be obtained by writing the Customer Satisfaction Department, Warner Electric LLC, 449 Gardner Street, South Beloit, Illinois 61080, or by calling 815-389-3771.

A purchase receipt or other proof of original purchase will be required before warranty service is rendered. If found defective under the terms of this warranty, repair or replacement will be made, without charge, together with a refund for transportation costs. If found not to be defective, you will be notified and, with your consent, the item will be repaired or replaced and returned to you at your expense.

This warranty covers normal use and does not cover damage or defect which results from alteration, accident, neglect, or improper installation, operation, or maintenance.

Some states do not allow limitation on how long an implied warranty lasts, so the above limitation may not apply to you.

Warner Electric LLC's obligation under this warranty is limited to the repair or replacement of the defective product and in no event shall Warner Electric LLC be liable for consequential, indirect, or incidental damages of any kind incurred by reason of the manufacture, sale or use of any defective product. Warner Electric LLC neither assumes nor authorizes any other person to give any other warranty or to assume any other obligation or liability on its behalf.

WITH RESPECT TO CONSUMER USE OF THE PRODUCT, ANY IMPLIED WARRANTIES WHICH THE CONSUMER MAY HAVE ARE LIMITED IN DURATION TO ONE YEAR FROM THE DATE OF ORIGINAL CONSUMER PURCHASE. WITH RESPECT TO COMMERCIAL AND INDUSTRIAL USES OF THE PRODUCT, THE FOREGOING WARRANTY IS IN LIEU OF AND EXCLUDES ALL OTHER WARRANTIES, WHETHER EXPRESSED OR IMPLIED BY OPERATION OF LAW OR OTHERWISE, INCLUDING, BUT NOT LIMITED TO, ANY IMPLIED WARRANTIES OF MERCHANTABILITY OR FITNESS.

Some states do not allow the exclusion or limitation of incidental or consequential damages, so the above limitation or exclusion may not apply to you. This warranty gives you specific legal rights and you may also have other rights which vary from state to state.

Changes in Dimensions and Specifications

All dimensions and specifications shown in Warner Electric catalogs are subject to change without notice. Weights do not include weight of boxing for shipment. Certified prints will be furnished without charge on request to Warner Electric.



Warner Electric LLC
449 Gardner Street • South Beloit, IL 61080
815-389-3771 • Fax: 815-389-2582
www.warnerelectric.com